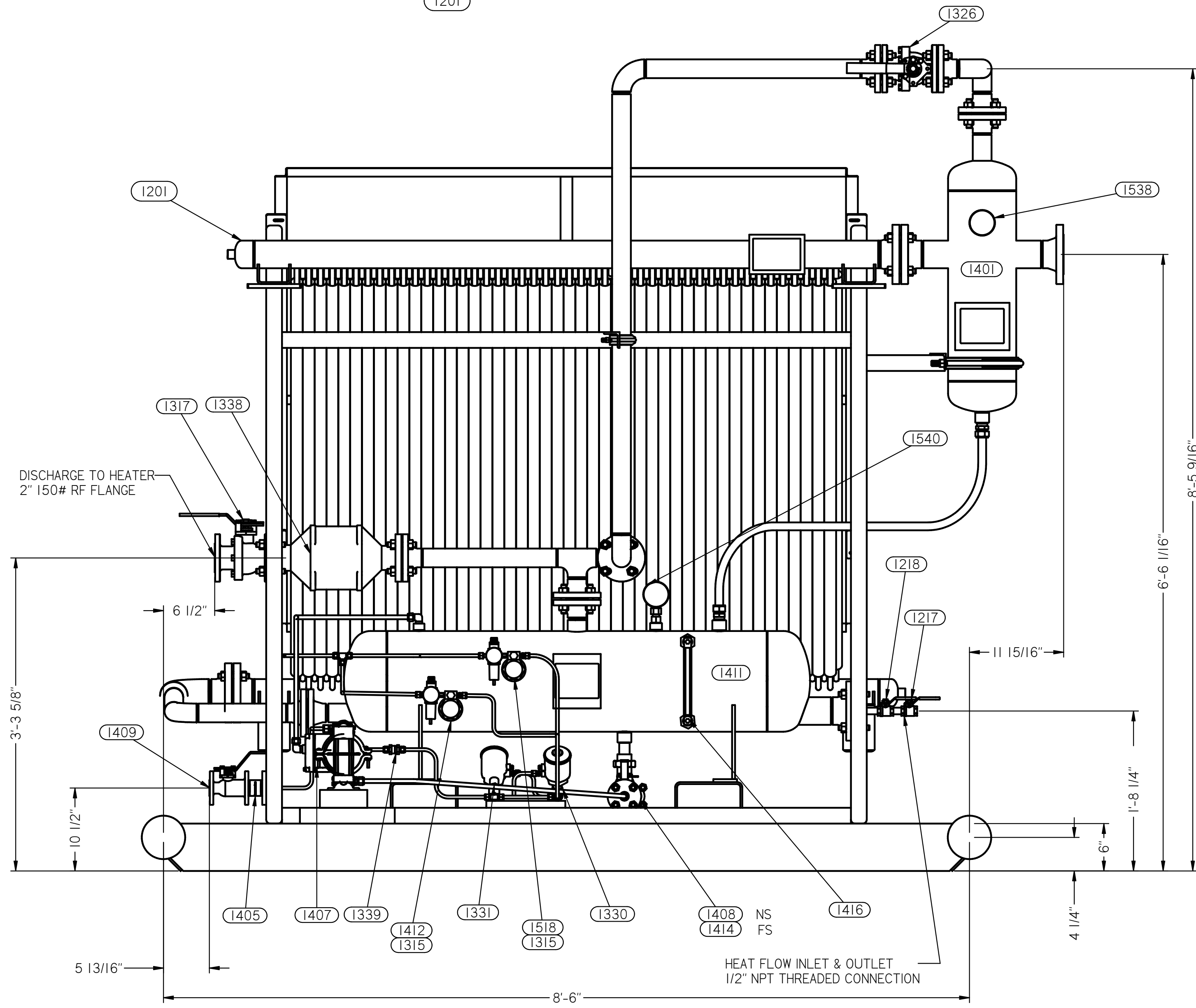
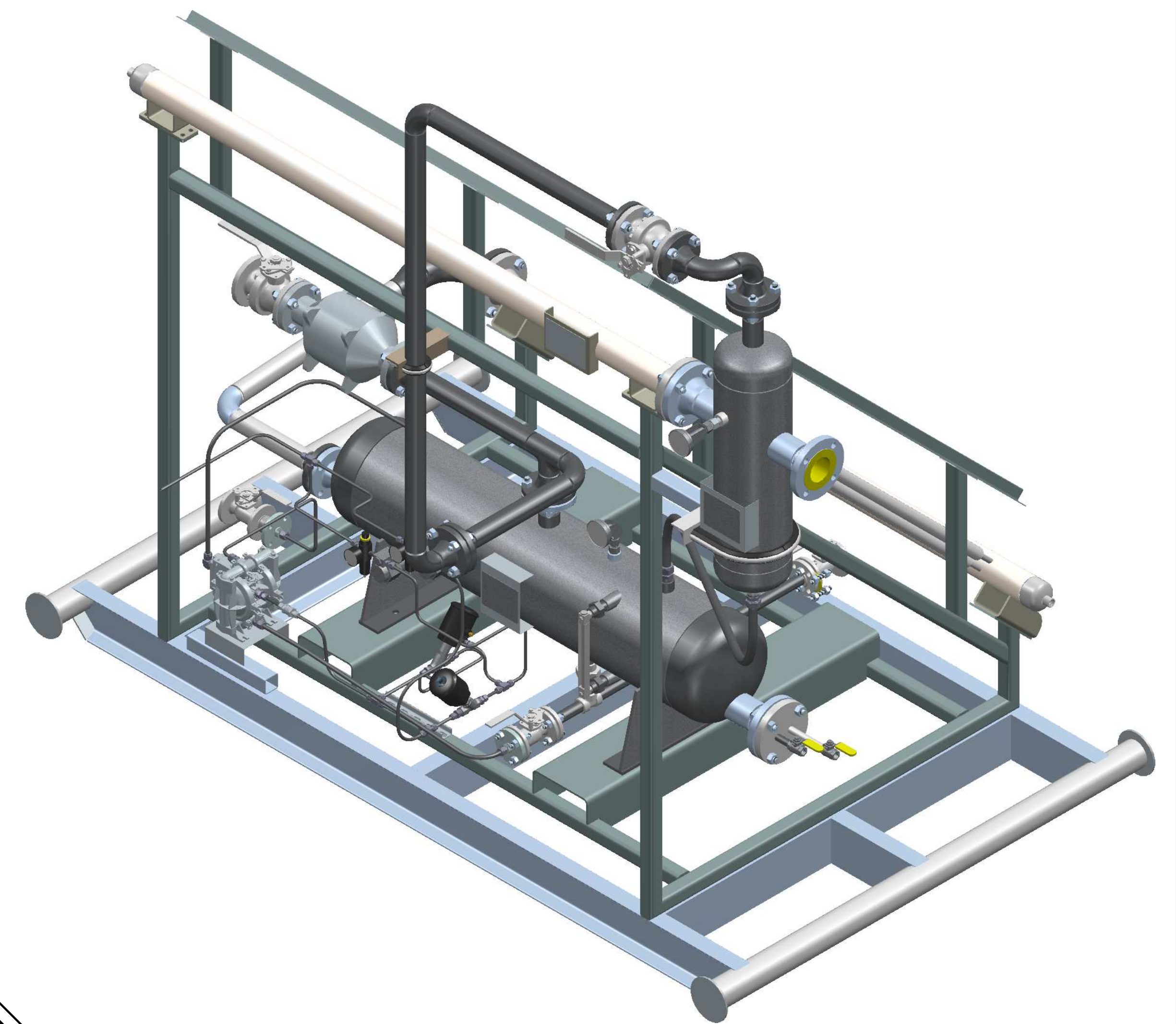


1201



1326

INLET
3" 150# RF FLANGE

1326

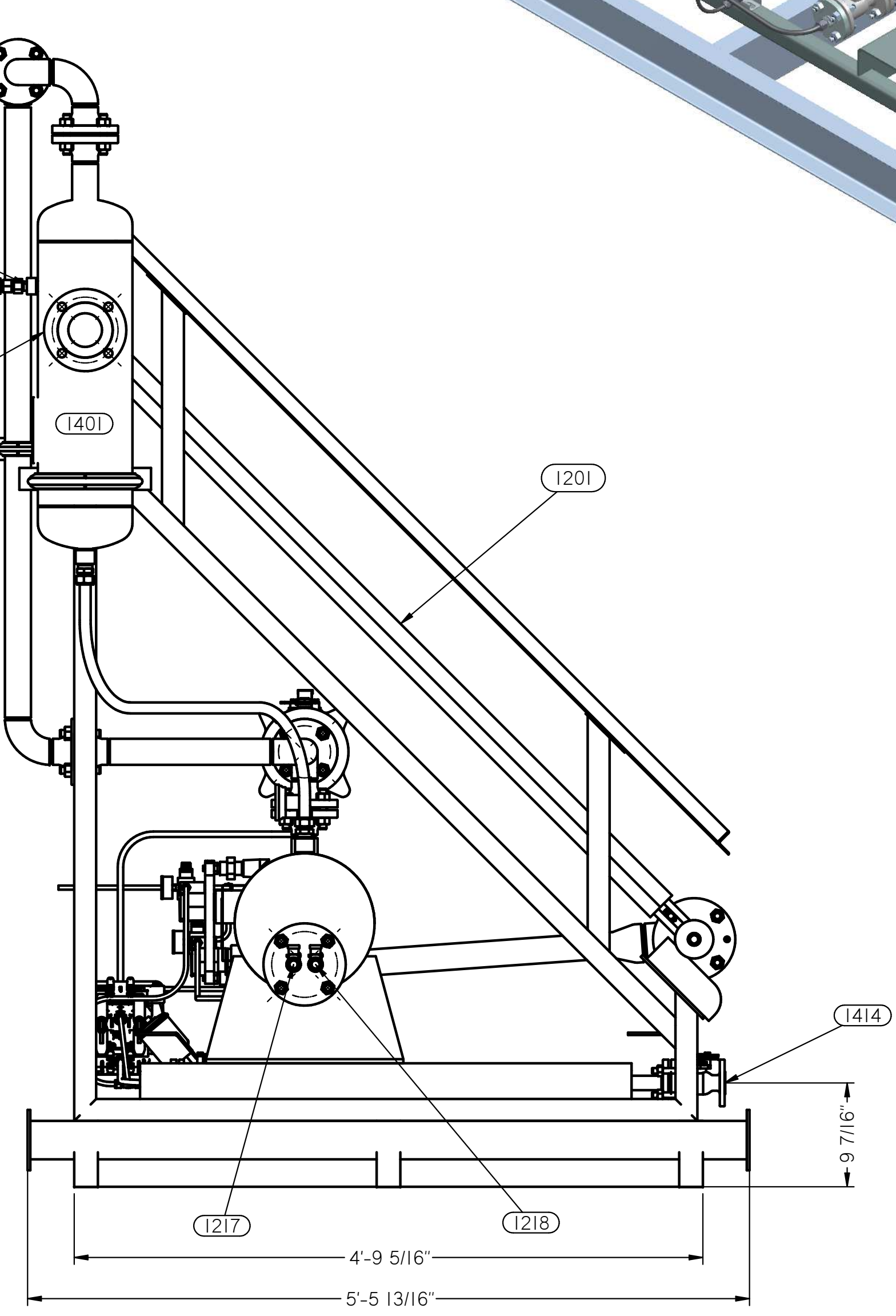
1538

1401

1201

LEGEND	
1201	HEAT EXCHANGER ASSEMBLY
1217	ISOLATION VALVE
1218	ISOLATION VALVE
1315 A, B	INST. CONTROL REGULATOR W/ITEMS 1412 & 1518
1317	DISCHARGE ISOLATION VALVE
1326	BYPASS ISO VALVE
1330	PUMP CONTROL SOLENOID
1331	PUMP CONTROL SOLENOID
1338	FLAME ARRESTER
1339	CONDENSATE PUMP INLET CHECK VALVE
1401	INLET VESSEL
1405	CONDENSATE PUMP CHECK VALVE
1407	CONDENSATE PUMP
1408	CONDENSATE PUMP ISO VALVE
1409	CONDENSATE PUMP DRAIN VALVE
1411	CONDENSATE VESSEL
1412	LIQUID LEVEL SWITCH LOW
1414	MANUAL DUMP VALVE
1416	LIQUID LEVEL SITE GAUGE
1518	LIQUID LEVEL SWITCH HIGH
1538	TEMPERATURE GAUGE INLET VESSEL
1540	TEMPERATURE GAUGE

APPROXIMATE WEIGHT : 2,050 LBS



1414

9 7/16"

1217

1218

Tulsa, Ok.						
Atlanta, Ga.						
P.O. Box 471453 Tulsa, Oklahoma 74147		DATE	SCALE	DRAWN BY	APPROV.	REVISION
3-1-2018		DB				00
GENERAL ARRANGEMENT DRAWING STANDARD BTX CONDENSER UNIT 100 MBTUH CONVECTION ABSENT AIR FLOW						
CUSTOMER:	DRAWING NUMBER:					
ANADARKO	STD-GA 100 MBTUH					